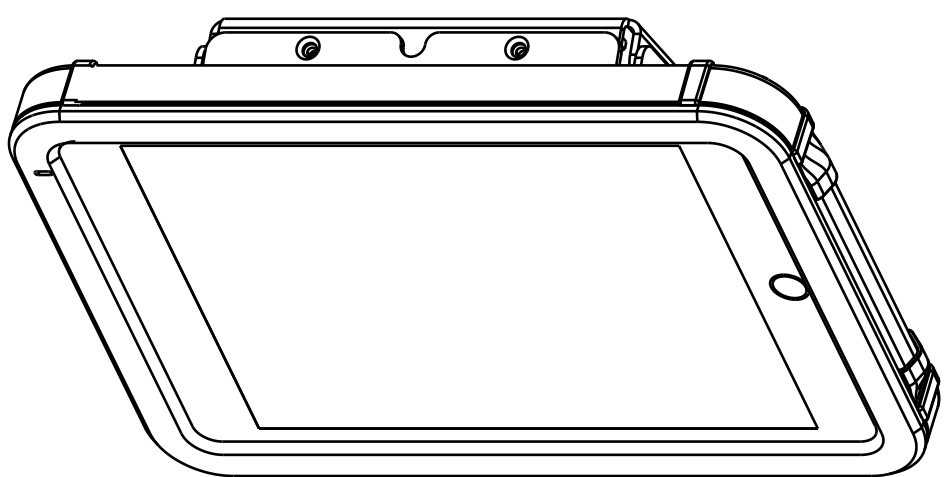
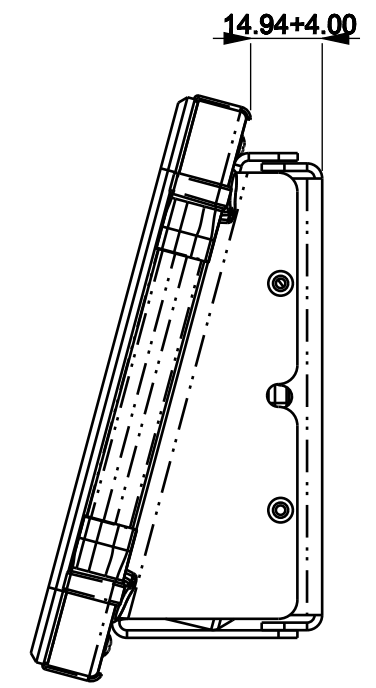
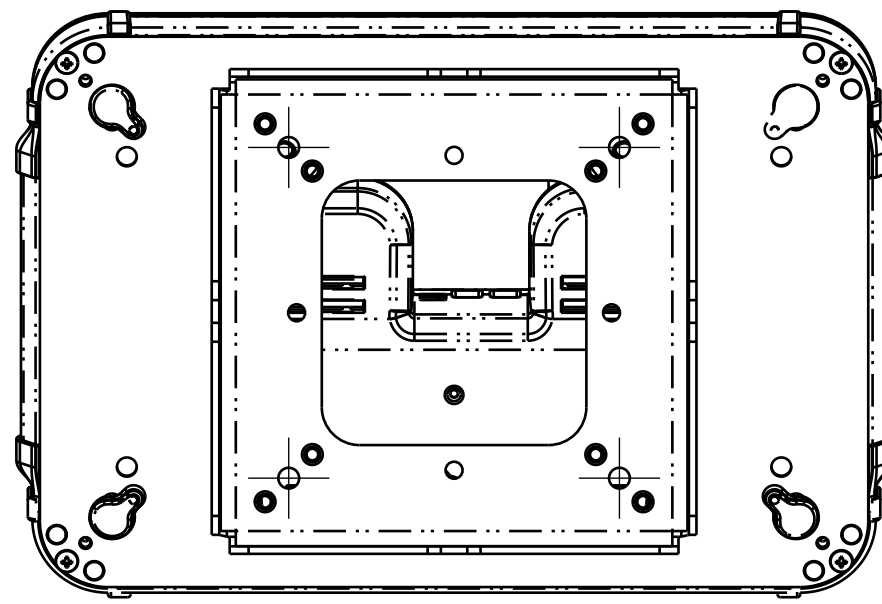
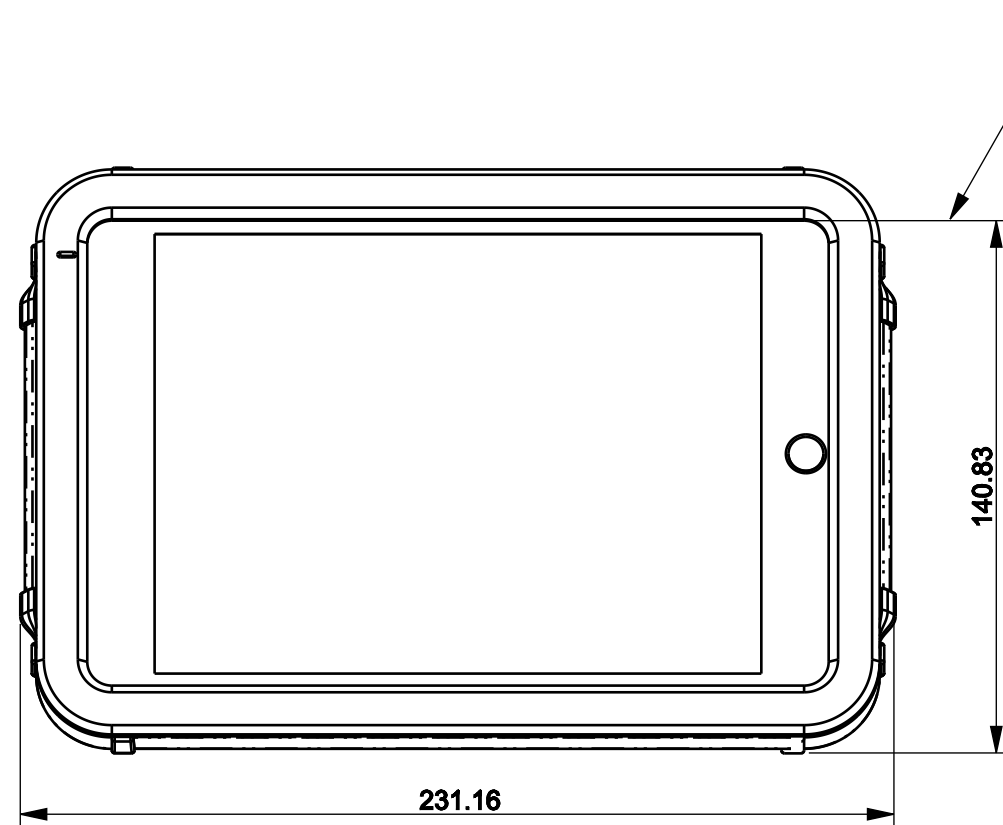


THIS DRAWING AND THE INFORMATION THEREIN ARE PROPERTY OF MAGTARGET AND SHALL NOT BE REPRODUCED, COPIED, RECORDED IN ANY MEDIA, USED FOR ANY OTHER PURPOSE OR DELIVERED AND/OR DISCLOSED TO ANY THIRD PARTY WITHOUT WRITTEN CONSENT OF MAGTARGET.

REVISIONS				
ZONE	REV	DESCRIPTION	DATE	APPROVED
			2018-03-22	




ITEM	DESCRIPTION	PART NUMBER	QTY
3	NEW KRONOS IPAD MINI WITH LIGHTS	577-100X-XX0	1
2	BRACKET, WALL-MOUNT,	273-0020	1
1	BRACKET, 15 DEGREES MOUNT,	273-0022-REV-C	1

UNLESS OTHERWISE SPECIFIED
DIMENSIONS ARE IN MM.
TOLERANCES ARE:
MILLIMETERS ANGLS
X: ± 1.0 MM ± 0.5°
Y: ± 0.60 MM
XY: ± 0.25 MM NOTE:
XXX: ± 0.125 MM INCHES-4MM25.4

- DO NOT SCALE DRAWING -

APPROVALS	DATE
DRAWN BY	
CHECKED	
ENGINEER	
MATERIAL	
REMOVE ALL BURRS & SHARP CORNERS	<input checked="" type="checkbox"/>



ENCLOSURE, NEW KORNOS IPAD MINI, WITH LIGHTS

SIZE B	MODEL NUMBER	DWG NO. 577-0011-102	REV
MASS 1.218	SCALE 0.500	SHEET SHEET 1 OF 1	

D

D

C

B

A

4

3

2

1

4

3

2

1